



The Viconics R820 series power switching modules are designed for cost effective, precise modulation of electric loads for most electric heating applications. ( Applicable on resistive loads only )

The R820 series consists of SCR's power controls, complete with factory assembled heatsink for surface or in-panel mounting.

The R820 power controller also contain four dip switches to adjust the control signals.

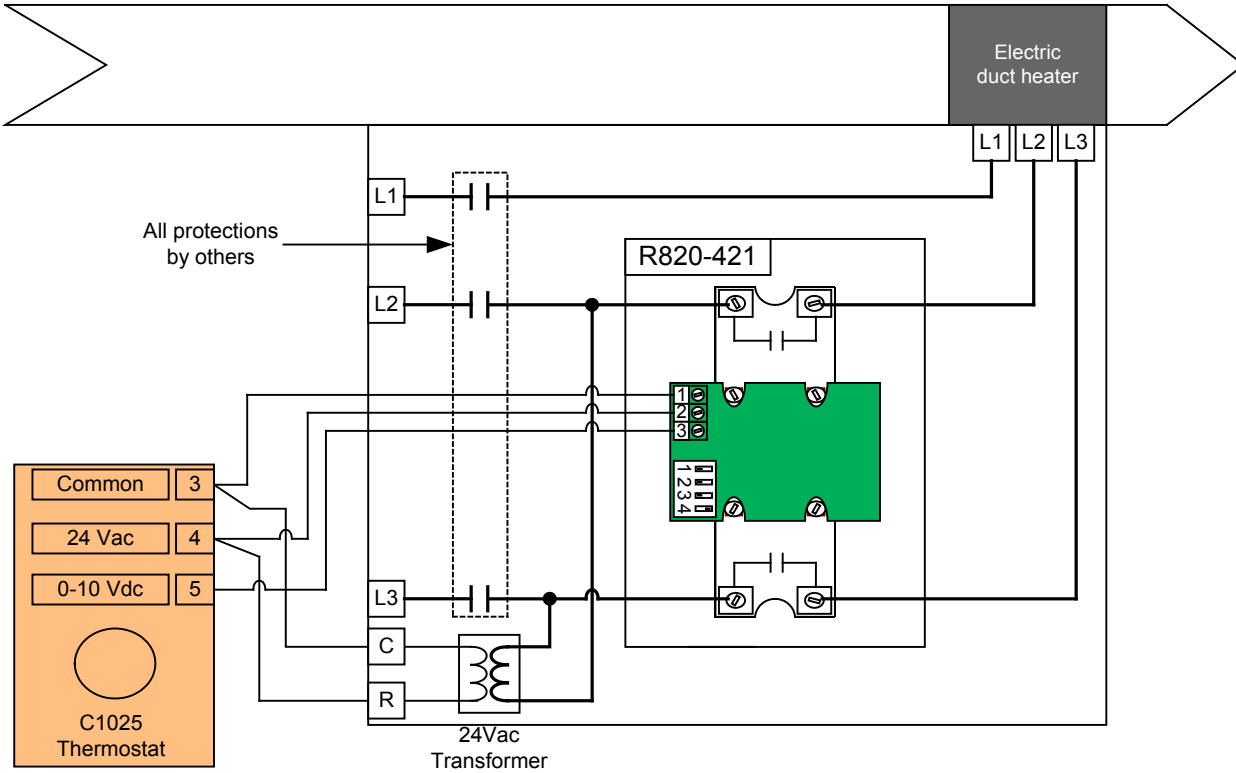
## Available Models

Model	Maximum voltage (Up to)				Maximum amperage (Up to)				Phase	
	240 V	347 V	480 V	600 V	10 A	25 A	45 A	75 A	1 phase	3 phase
R820-211-REV2	•				•				•	
R820-213-REV2	•				•					•
R820-321-REV2		•				•			•	
R820-323-REV2		•				•				•
R820-341-REV2		•					•		•	
R820-343-REV2		•					•			•
R820-421-REV2			•			•			•	
R820-423-REV2			•			•				•
R820-441-REV2			•				•		•	
R820-443-REV2			•				•			•
R820-471-REV2			•					•	•	
R820-621-REV2				•		•			•	
R820-623-REV2				•		•				•
R820-641-REV2				•			•		•	
R820-643-REV2				•			•			•
R820-671-REV2				•				•	•	

## Features

Features
Microcomputer based.
Dip switch configurable
Integrated over temperature thermostatic protection (self resetting) Auto shut off when SCR ambient temperature is above 82°C ( 180°F )
Complete with factory installed heatsink
For surface or in-panel mounting
CSA approved for Canada and USA
UL recognized
Pulse status led for servicing & trouble shooting
2 years warranty

## Electric Duct Heater With A C1025 Thermostat



## Dip Switch Configuration

Input signal	S1	S2	S3	S4
0 to 10 Vdc control signal ( 2 to 10 Vdc control range )	OFF	OFF	OFF	ON
4 to 20 mA control signal	OFF	OFF	ON	OFF
0 to 135 W control signal	ON	ON	OFF	OFF

## Specifications

- Operating Conditions: 0°C to 80°C ( 32°F to 176°F )  
0 % to 95 % R.H. non-condensing
- Thermostatic protection: Self resetting. Auto shut off when SCR ambient temp. is above 82°C ( 180°F )
- Control signal: 4-32 Vdc time proportioning signal into 2Kohms resistance  
With C24 module:  
24 Vac -15%, +10% 50/60 Hz; 25 mA

## Dimensions

Same as R810 series dimensions (Page R4)

